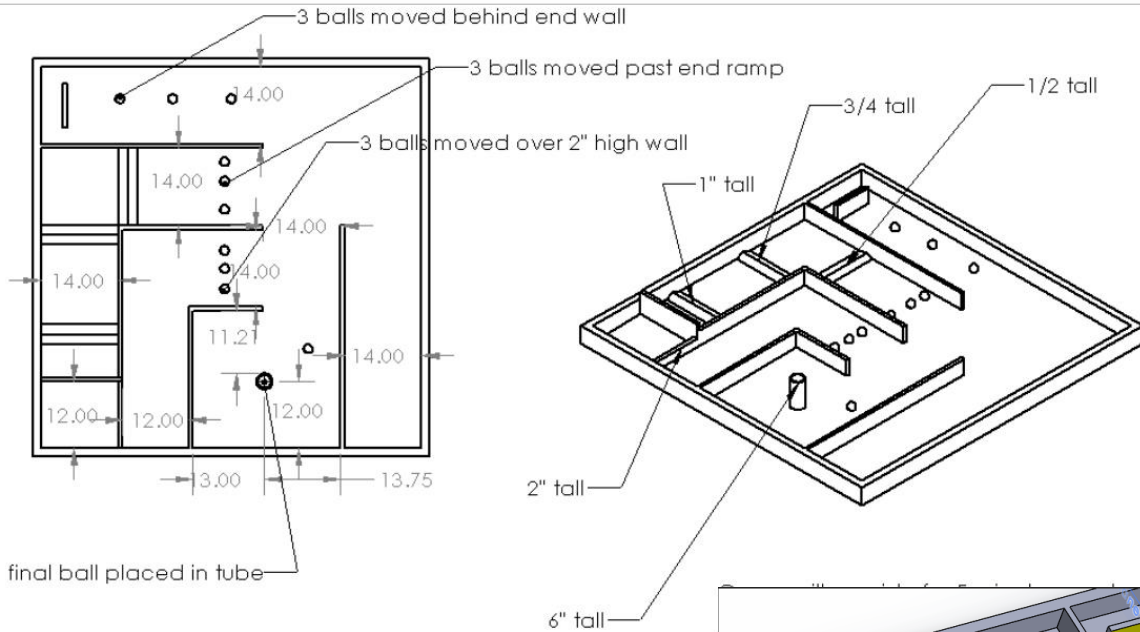


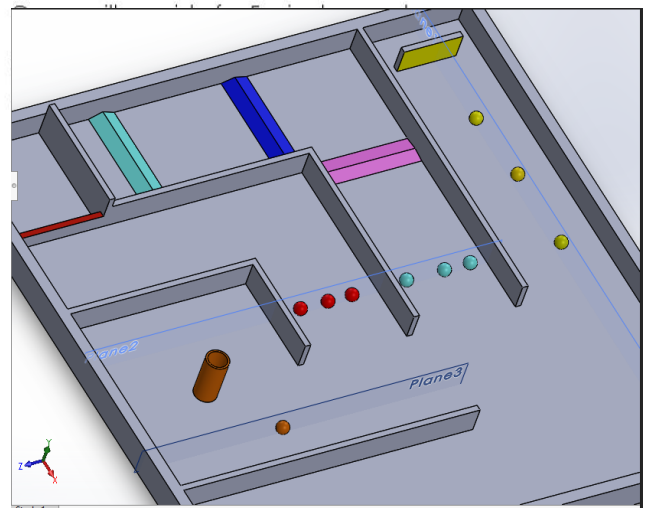
Robotic Competition



ALL Sizes are approximate!!!!

The game:

- One 5 minute round.
- Each ball placed in the goal area is 1 point.
- The score will be totaled at the end of 5 minutes.
- If the course is completed under 5 minutes, the time will be recorded.
- The most points or fastest time will determine the winner.



Goal:

- 1st- Yellow balls moved to behind the wall at the end.
- 2nd- Teal have to go behind the final speed bump (teal one).
- 3rd- Red balls have to go over the red wall in to the container behind it.
- 4th- Final challenge: Place the orange ball into the top of the 6" tall (2" PVC) pipe.

Balls will be the following:



<https://www.walmart.com/ip/New-IZZO-Golf-Perforated-Practice-Balls-Lightweight-12-Total-Orange/181914944>